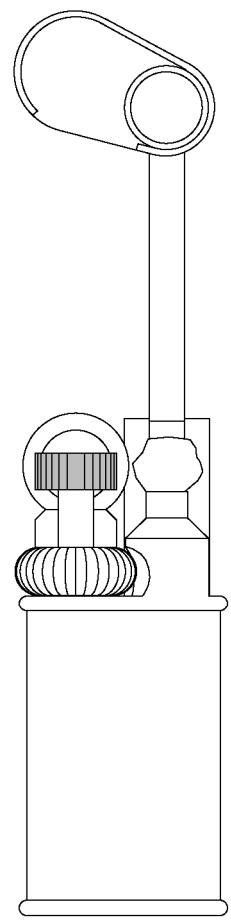
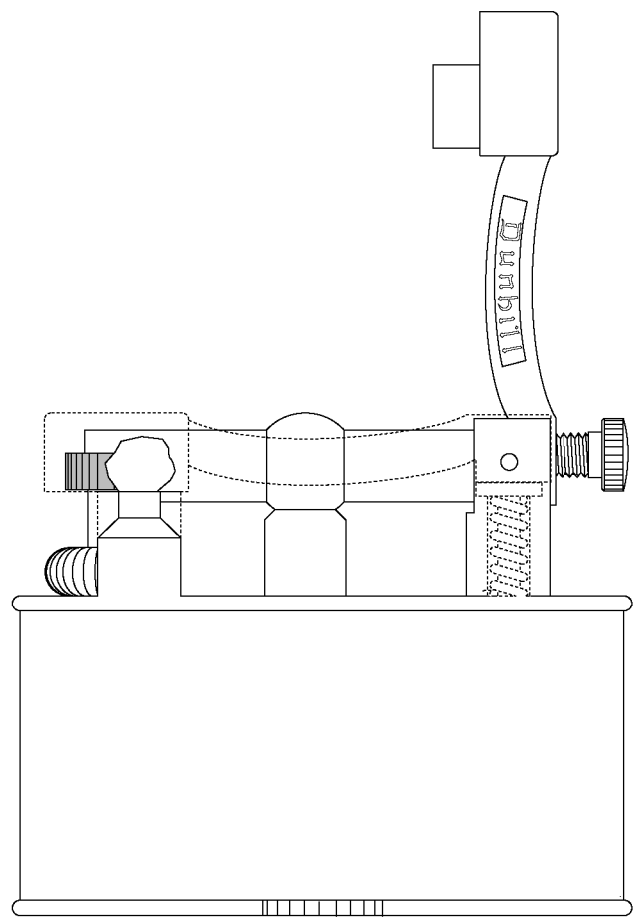
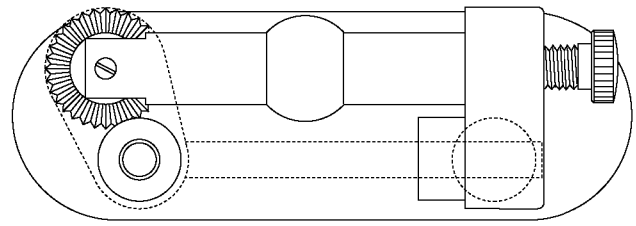
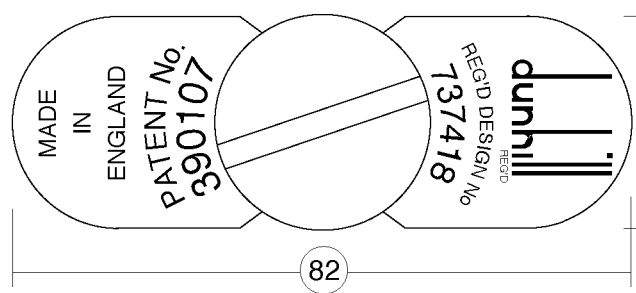
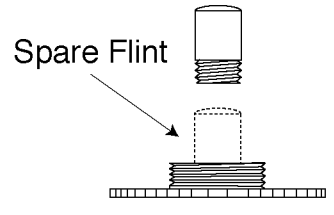


Giant Bijou (with internal Spring)



66,5



27,5

82

Rounded measures in millimetres

c.1936	Scale	
Designed September 10th, 2002	1 : 1	
Giant Bijou (int. spring)		
© Copyright by British World™ s.a.s. All Rights Reserved.		