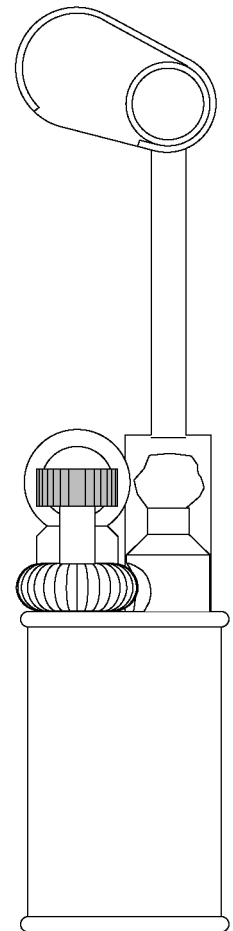
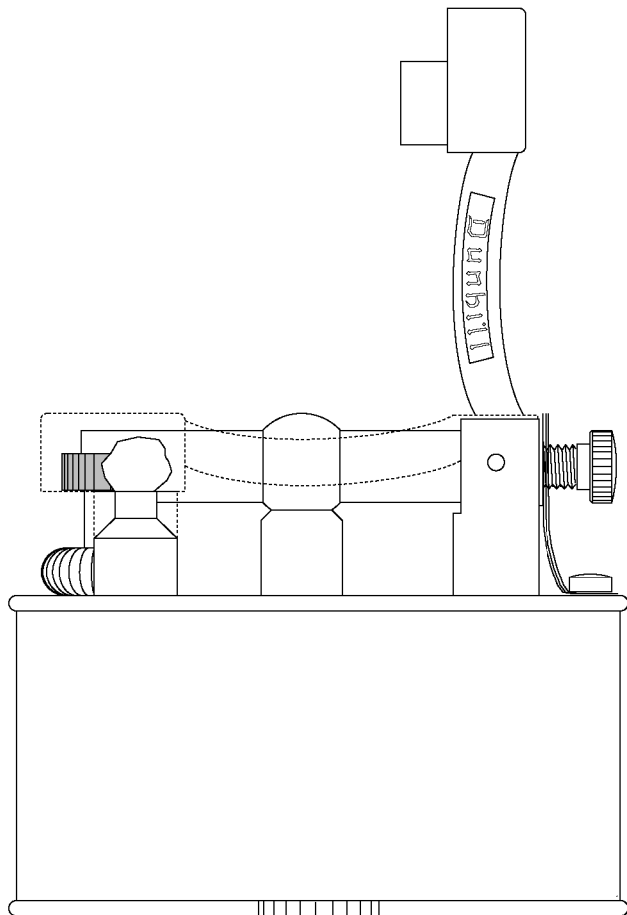
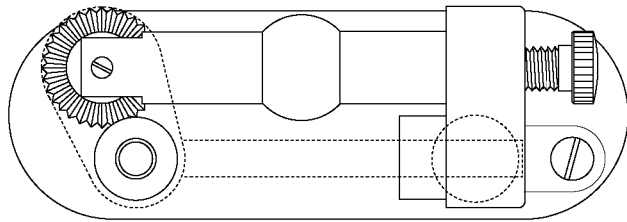
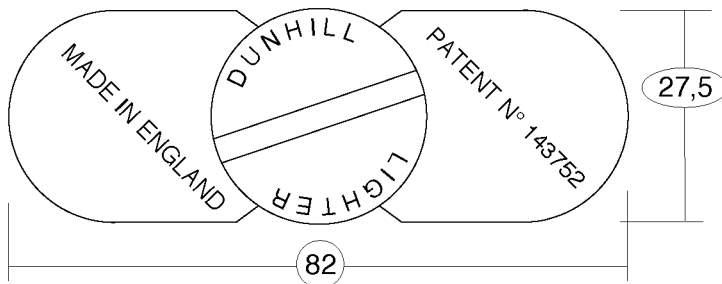
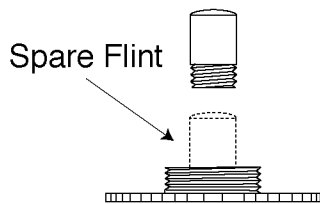


Giant Bijou (with external Spring)



66,5



27,5

82

Rounded measures in millimetres

c.1936	Scale	
Designed January 9th, 1997	1 : 1	
Giant Bijou (ext. spring)		dunhill
© Copyright by British World™ s.a.s. All Rights Reserved.		